

# SPARE PARTS CATALOGUE

## CROSSWISE 25KG 6GN 1/1

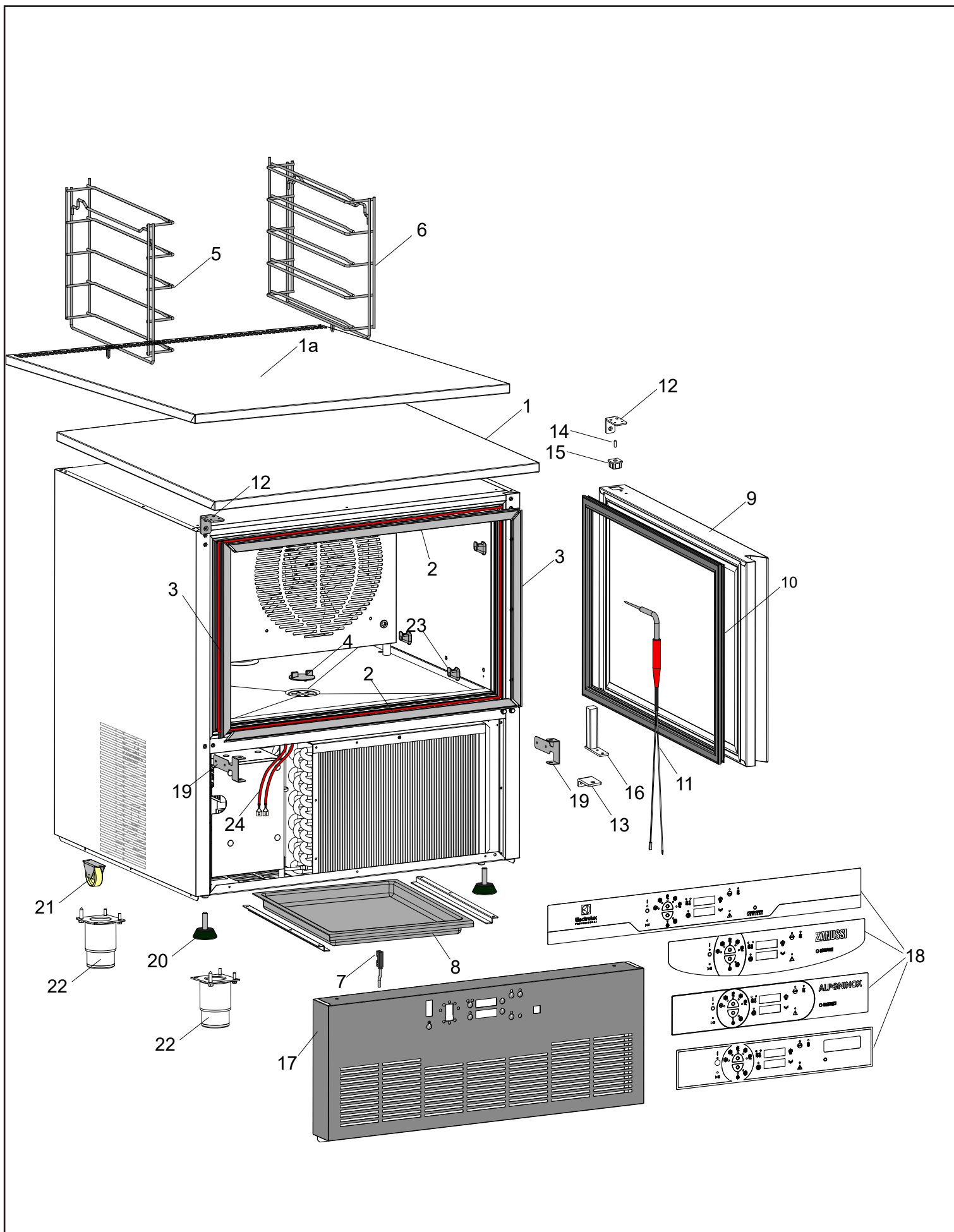
### CHILLER FREEZER

PNC	MODEL	REF.	PAG.	DESCRIPTION	NOTE/BRAND
110919	ZCBCFA025SE	a	3-7	BLAST CHILLER/FREEZER 20/15KG 6 GN 1/1 - R452A	ZAN
110920	ZCBCFA025SB	b	3-7	BLAST CHILLER/FREEZER 20/15KG 6 GN 1/1 - R452A - 60HZ	ZAN
110984	ZCBCFA025UB	c	3-7	BLAST CHILLER/FREEZER 25KG 5 GN 1/1 - R452A - 60HZ - UNDER-COUNTER	ZAN
110985	ZCBCFA025UE	d	3-7	BLAST CHILLER/FREEZER 25KG 5 GN 1/1 - R452A - UNDERCOUNTER	ZAN
725212	ECBCFA025SE	e	3-7	BLAST CHILLER/FREEZER 20/15KG 6 GN 1/1 - R452A	EPR
725213	ECBCFA025SB	f	3-7	BLAST CHILLER/FREEZER 20/15KG 6 GN 1/1 - R452A - 60HZ	EPR
725399	GCBCF25SA	g	3-7	BLAST CHILLER/FREEZER 20/15KG 6 GN 1/1 - R452A - 60HZ	To brand
725444	ECBCFA025UB	h	3-7	BLAST CHILLER/FREEZER 25KG 5 GN 1/1 - R452A - UNDERCOUNTER - 60HZ	EPR
725445	ECBCFA025UE	i	3-7	BLAST CHILLER/FREEZER 25KG 5 GN 1/1 - R452A - UNDERCOUNTER	EPR
725446	ECBCFB025UE	j	3-7	BLAST CHILLER/FREEZER 25KG 5 GN 1/1 - R448A	EPR
729533	MCBCFA025SE	k	3-7	BLAST CHILLER/FREEZER 20/15KG 6 GN 1/1 - R452A	To brand
729541	ACBCFA025SE	l	3-7	BLAST CHILLER/FREEZER 20/15KG 6 GN 1/1 - R452A	Alpeninox
729686	ACBCFA025UE	m	3-7	BLAST CHILLER/FREEZER 25KG 5 GN 1/1 - R452A - UNDERCOUNTER	Alpeninox
729687	MCBCFA025UE	n	3-7	BLAST CHILLER/FREEZER 25KG 5 GN 1/1 - R452A - UNDERCOUNTER	To brand

## INDEX - INDICE

## PAG.

CABINET AND DOOR	3
SPARE PART LISTS - CABINET AND DOOR	4
COOLING UNIT AND CONTROL PANEL	5
SPARE PART LISTS - COOLING UNIT AND CONTROL PANEL	6-7



## CABINET AND DOOR

From Ser. Nr.  
Up to Ser. Nr.

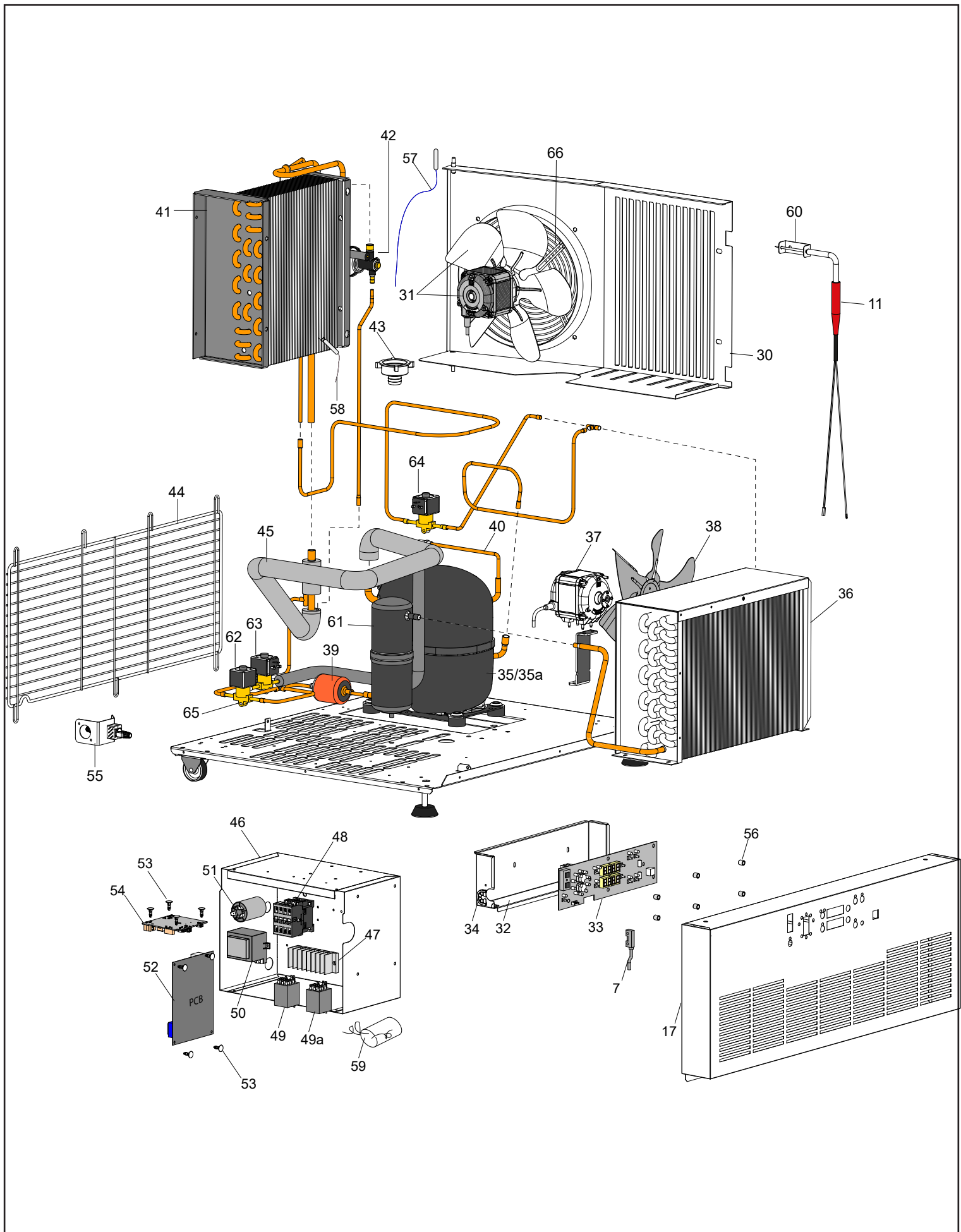
Ed. 01 2023-03  
Ed. 01 2024-02

Page: 3

@

Doc No:595R07H00





## COOLING UNIT AND CONTROL PANEL

From Ser. Nr.  
Up to Ser. Nr.

Ed. 01 2023-03  
Ed. 01 2024-02

Page: 5 @

Doc No:595R07H00

POS	FACTORY CODE	S.P. CODE	DESCRIPTION	V	W&T	REF.	NOTES	S/N BREAK (YYYY/WK)
30	0504R01T00	097676	Evaporator carter		x			
31	0857796300	088603	Fan evaporator assembly	x				
32	0504R37400	097670	User board protection		x			
33	0648R02M00	097726	User board	x				
34	0639R23600	097673	Grommet	x				
35	0684R12000	095064	Compressor L'U.H. / TECUMSEH 220-240/50	x		a; d; e; i; j; k; l; m; n	50 Hz	
35	0684R11200	094475	Compressor EMBRACO CSR 200-240 50 / 220-230 60	x		b; c; f; g; h	60 Hz	
35a		096645	Start capacitor	x		a; d; e; i; j; k; l; m; n	50 Hz	
35a		095125	Relay	x		a; d; e; i; j; k; l; m; n	50 Hz	
35a		096643	T-connect box CSR CAJ2464Z/X-FZ	x		a; d; e; i; j; k; l; m; n	50 Hz	
35a		096644	Electrical CSR KIT CAJ2464Z F	x		a; d; e; i; j; k; l; m; n	50 Hz	
35a		096646	External overload MST16AFZ-3291	x		a; d; e; i; j; k; l; m; n	50 Hz	
35a		096647	Electrical box junior with SP connecting block	x		a; d; e; i; j; k; l; m; n	50 Hz	
36	0830R03K00	097664	Gas condenser 11T4R375A	x				
37	0682R07101	093858	Motor fan condenser ELCO 230-240V/50-60 HZ	x				
38	0511R01900	094955	Fan condenser 254/31	x				
39	0646725601	088201	Filter DML052 S	x				
40	0515R03801	091217	Schraden filling valve H42	x		a; d; e; i; j; k; l; m; n	50 Hz	
40	0845716300	087380	Schraden filling valve H42	x		b; c; f; g; h	60 Hz	
41	0845718705	088596	Evaporator	x				
42	0646754501	089929	Thermostatic valve/Expansion valve	x				
43	0546R25400	094255	Discharge pipe		x			
44	0541716604	087957	Back grid		x			
45	0805R01R01	097690	Pipe exchanger	x				
46	0504R01P00	097675	Electric box	x				
47	0855R09M01	097665	Clamp with wiring	x				
48	0648729600	090064	Contacteur 220-230 50 hz 240 60hz	x				
49	0648802700	056510	Relay Finder 24 V	x				
49a	0648703800	083215	Relay Finder 60.62.8.230	x				
50	0624711702	087662	Voltage adaptor 230/24 V	x				
51	0694700800	084987	Filter LC		x			
52	0648R04902	093125	Main board	x				
53	0546401600	095984	Main board spacer	x				
54	*	*	Lion board connectivity		x			
55	*	*	Connectivity bracket LAN cable		x			
56	0546R08D00	097674	Round spacer Ø 6,2 ; EX 9,0	x				
57	0646R07200	092177	Blu cell probe	x				
58	0646R12000	093531	Gray evaporator probe	x				

## SPARE PARTS CODE - COOLING UNIT AND CONTROL PANEL

\* On demand

**Bold=last change**

From Ser. Nr. Up to Ser. Nr.	Ed. 01 2023-03 Ed. 01 2024-02	Page: 6	<b>Doc No:595R07H00</b>
---------------------------------	----------------------------------	---------	-------------------------

POS	FACTORY CODE	S.P. CODE	DESCRIPTION	V	W&T	REF.	NOTES	S/N BREAK (YYYY/WK)
59	0648729400	099129	Capacitor 4 UF UL-CSA	x				
60	0506748800	089860	Food probe support		x			
61	0805749401	087758	Liquid receiver	x				
62	0646R14000	095063	By-pass solenoid valve Vb	x				
63	0646R14000	095063	Solenoid valve V1	x				
64	0646R14000	095063	Defrost solenoid valve V2	x				
65	0646746400	088030	SPORLAN valve	x				
66	0514744502	088100	Motor fan grid		x			

\* On demand

**Bold=last change**

From Ser. Nr.  
Up to Ser. Nr.

Ed. 01 2023-03  
Ed. 01 2024-02

Page: 7

**Doc No:595R07H00**

Electrolux Professional SpA  
Viale Treviso, 15  
33170 Pordenone, ITALY  
Fax (+39) 0434 380 201  
<https://www.electroluxprofessional.com>  
<https://webgate.electroluxprofessional.com>